



Hercules HATCHES

Heavy Duty Watertight Aluminium Deck Hatches

The unique design of the locking mechanism and the quality of construction place Hercules Cast Hatches in a class of their own.

Safety

Once the shooting bolts are engaged, the hatch cannot be accidentally opened.



Durability

Moving parts are engineered from type 316 marine grade stainless steel. Bushes and bearings from hard wearing Ertalyste.

Strength

The hatch cover and flange ring are cast from corrosion resistant marine grade aluminium.

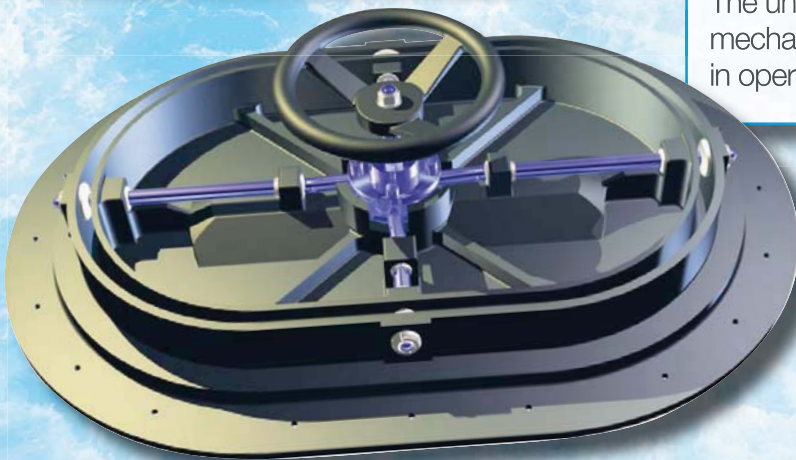


Water Resistance

Exceptional waterproof integrity.

Ease of Operation

The unique Hercules locking mechanism is extremely smooth in operation.



Accessories

Hinges to allow Hercules Cast Hatches to open and fold back flat on the deck (or to provide a watertight door in bulkheads.)



Bureau Veritas Type Approval



SEIMI

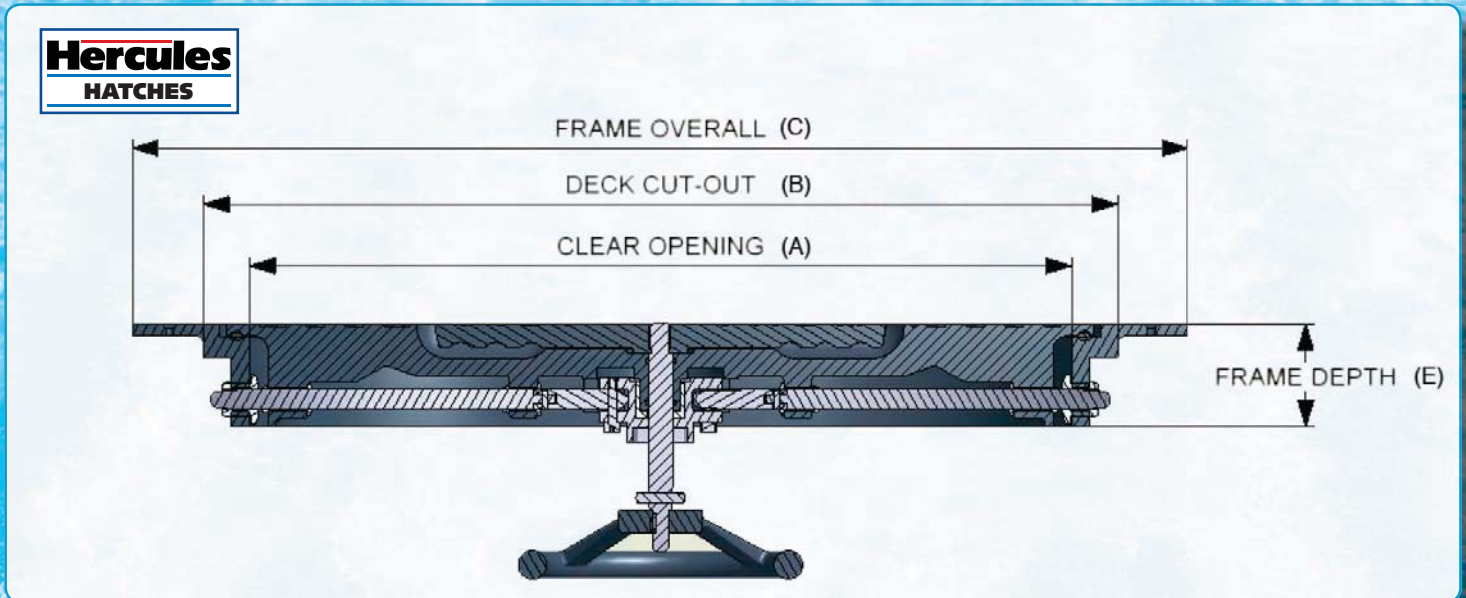
75, rue Amiral Troude, CS41809, 29218 BREST CEDEX 2.

Tél: +33 (0)2 98 46 11 02 Fax: +33 (0)2 98 43 37 49

info@seimi.com www.seimi.com

Heavy Duty Watertight Aluminium Deck Hatches

The unique design of the locking mechanism and the quality of construction place Hercules Cast Hatches in a class of their own.



Hercules Cast Deck Hatches - Assembly Data and Sizes (mm)

	A - Clear Opening	B - Deck Cut Out	C - Overall Frame	D - Fixing Detail	E - Frame Depth	
Type	A	B	C	D	E	Weight
15	380 Dia	460 Dia	570 Dia	12 x M6	75	16kg
2020	510 x 510	590 x 590	660 x 660	16 x M6	80	18kg
2424	620 x 620	700 x 700	810 x 810	24 x M6	80	30kg
2515	640 x 380	710 x 460	820 x 570	20 x M6	80	23kg
2828	710 x 710	790 x 790	900 x 900	20 x M6	80	42kg
3628	915 x 710	1000 x 790	1100 x 900	22 x M8	80	52kg

Distributed by:

Applications:

Working Boats	Wind Farm Support Vessels
Tug Boats	Ferries
Fishing Vessels	Yachts and Leisure Boats
Military Vessels	
Patrol Boats	

France

Seimi
75 Rue Amiral TROUDE
29200 Brest, France

T: +33 (0)2 98 46 11 02
F: +33 (0)2 98 43 37 49
E: info@seimi.com